

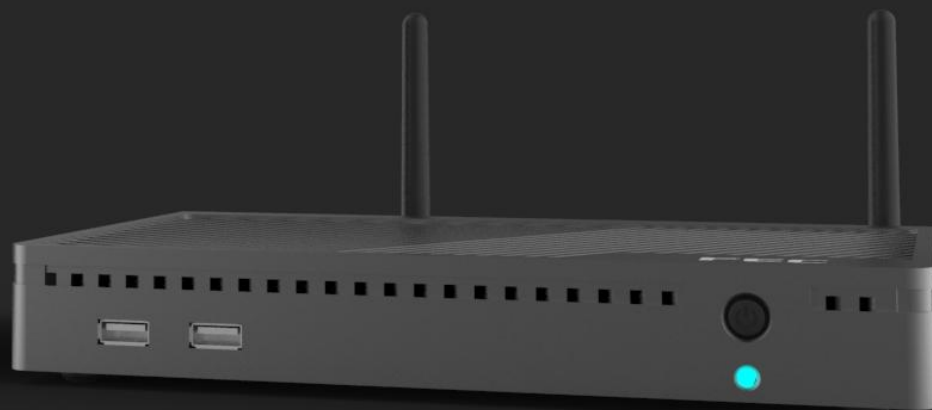
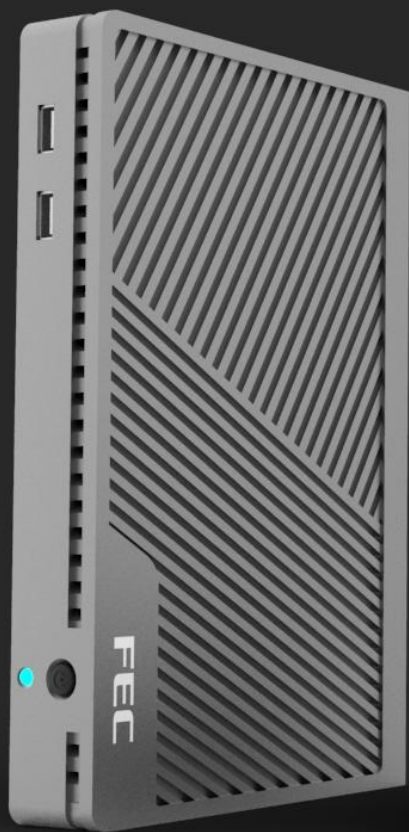


FEC

ELEVATE YOUR BUSINESS

XC-373

20230515

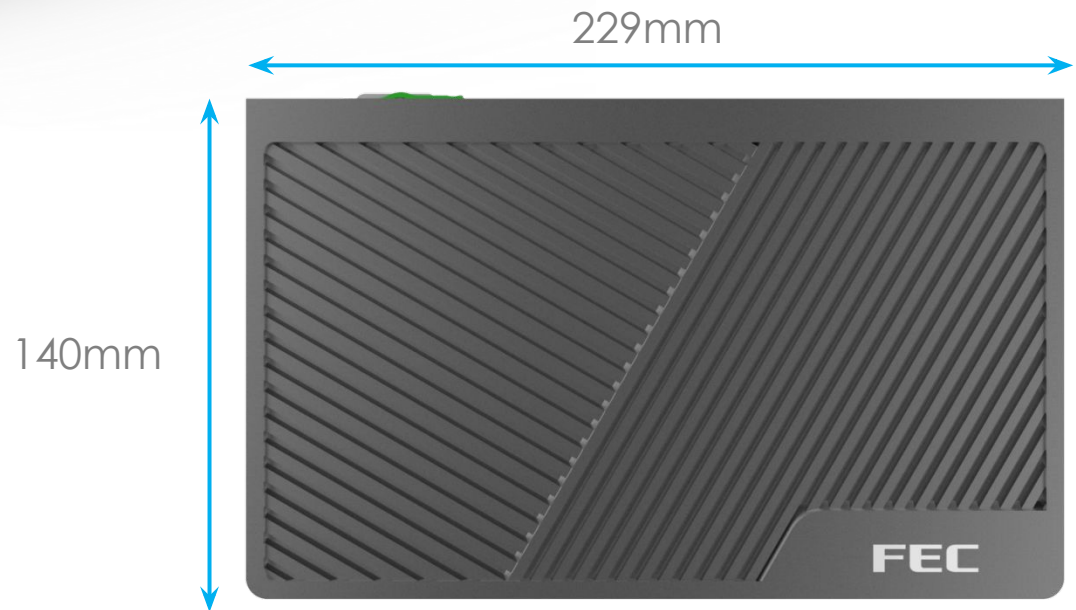
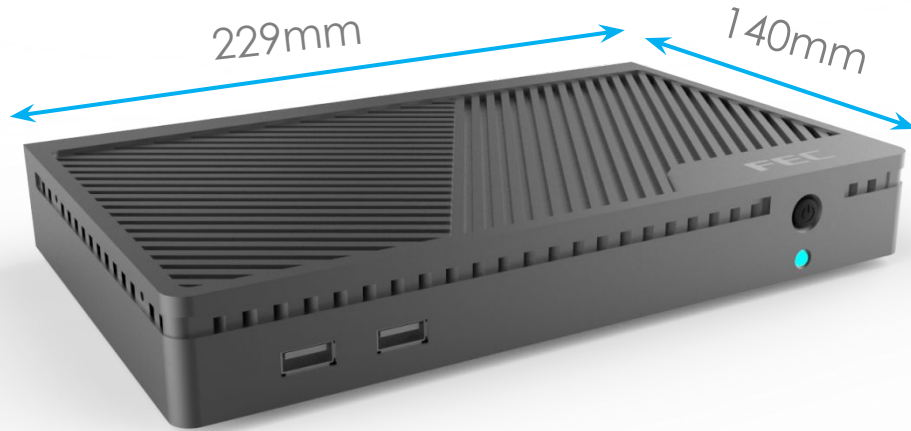


Color Plan

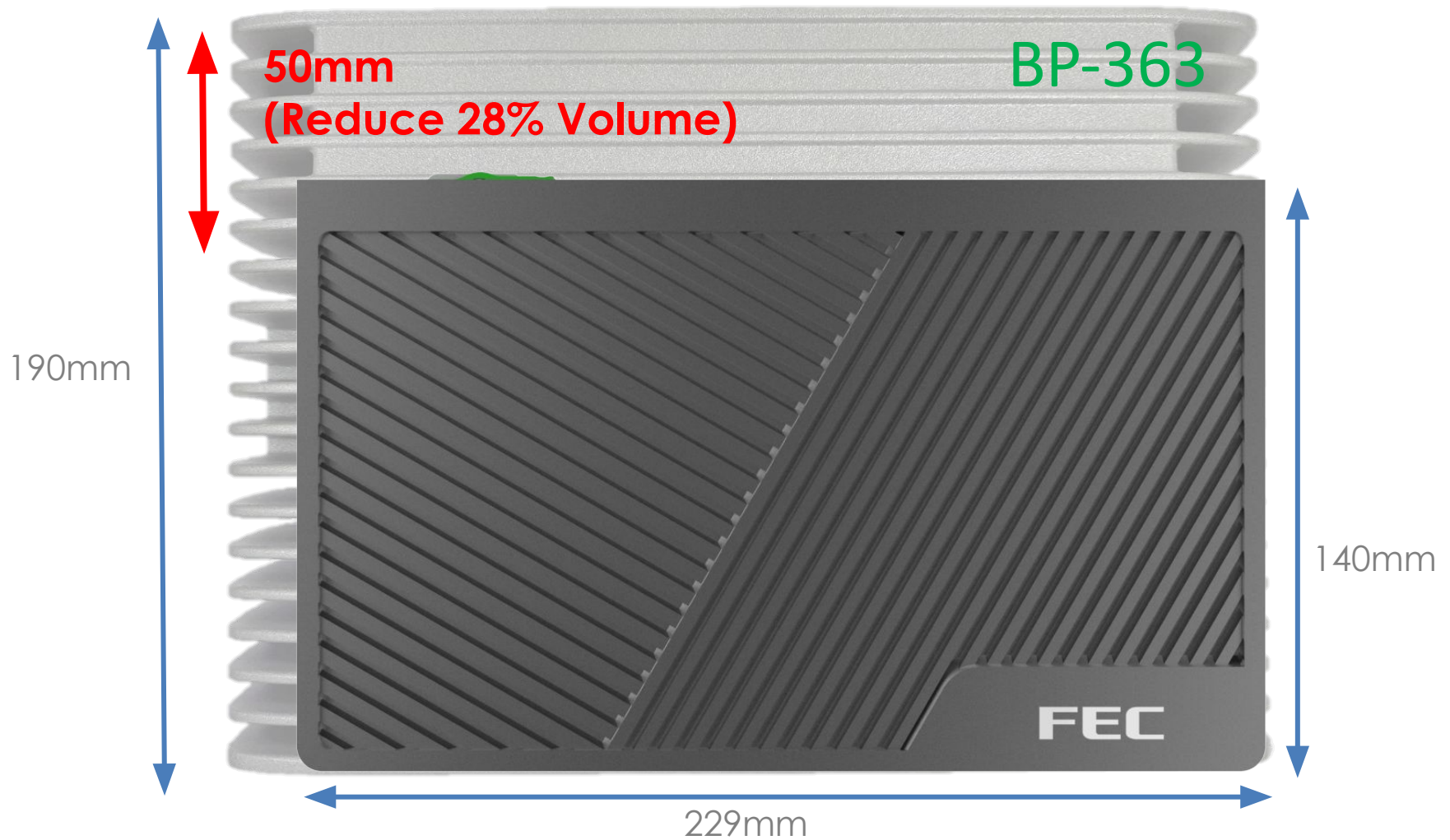
Galaxy Grey



Outline Dimension



Compact and Small Footprint





DL (Dual Layer)



SL (Single Layer)

Single
Layer



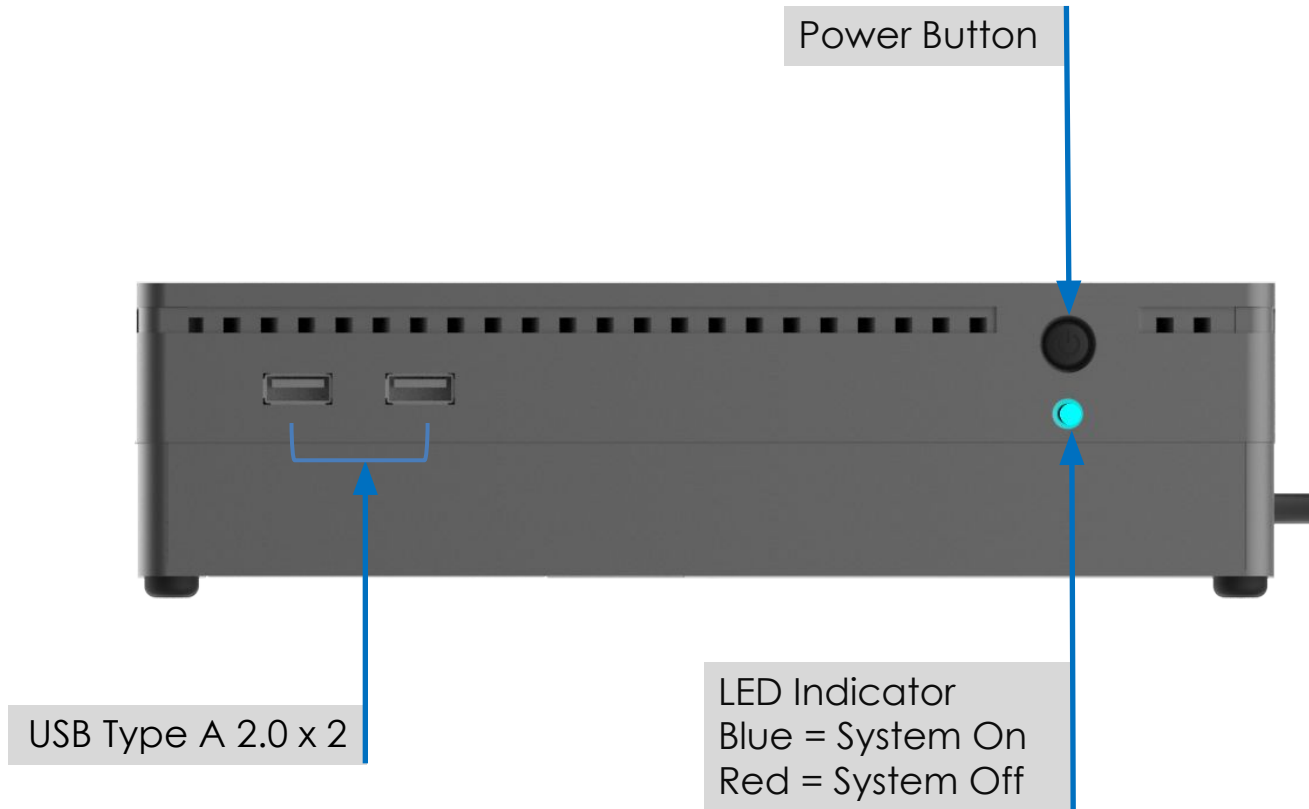
32mm

Dual
Layer



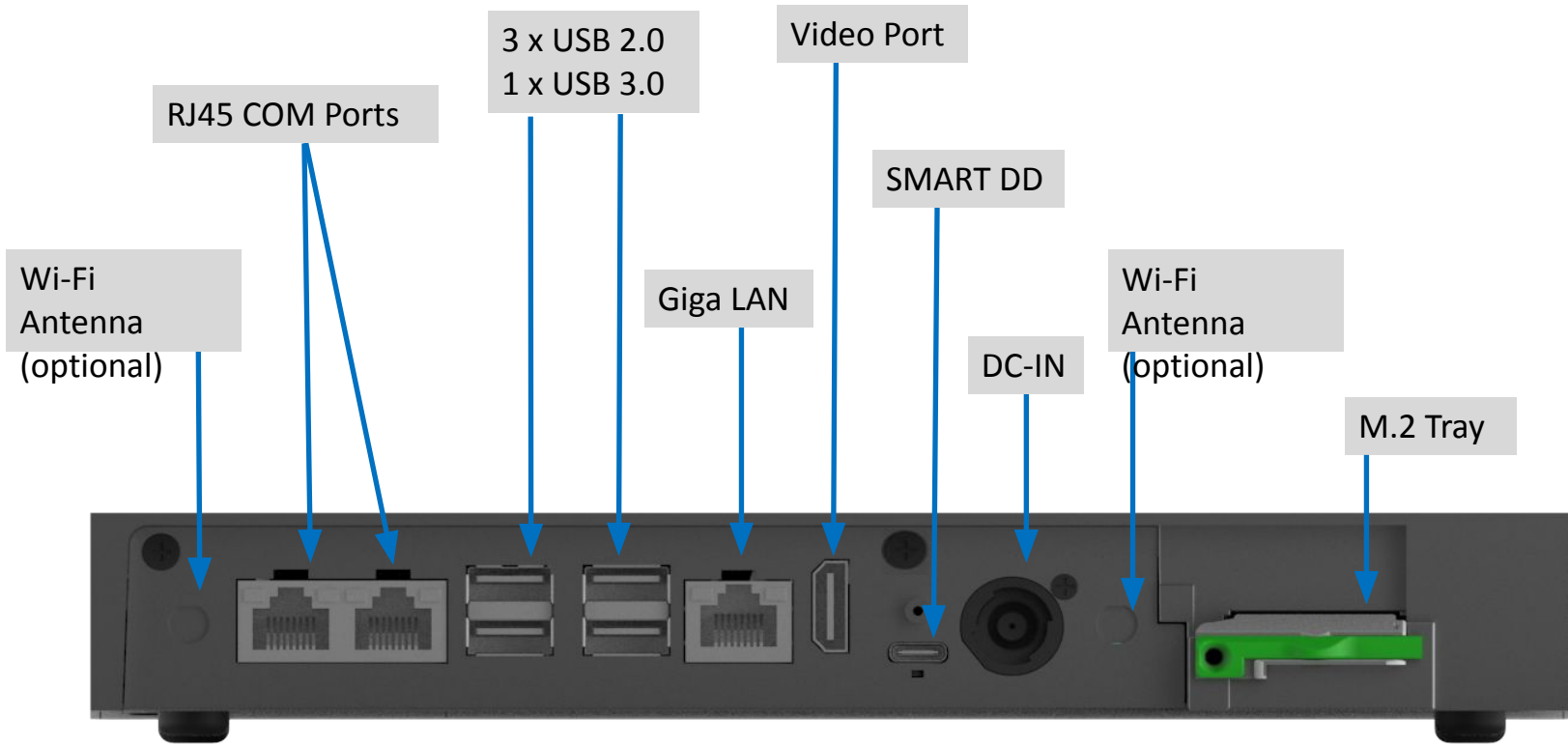
59mm

Front I/O



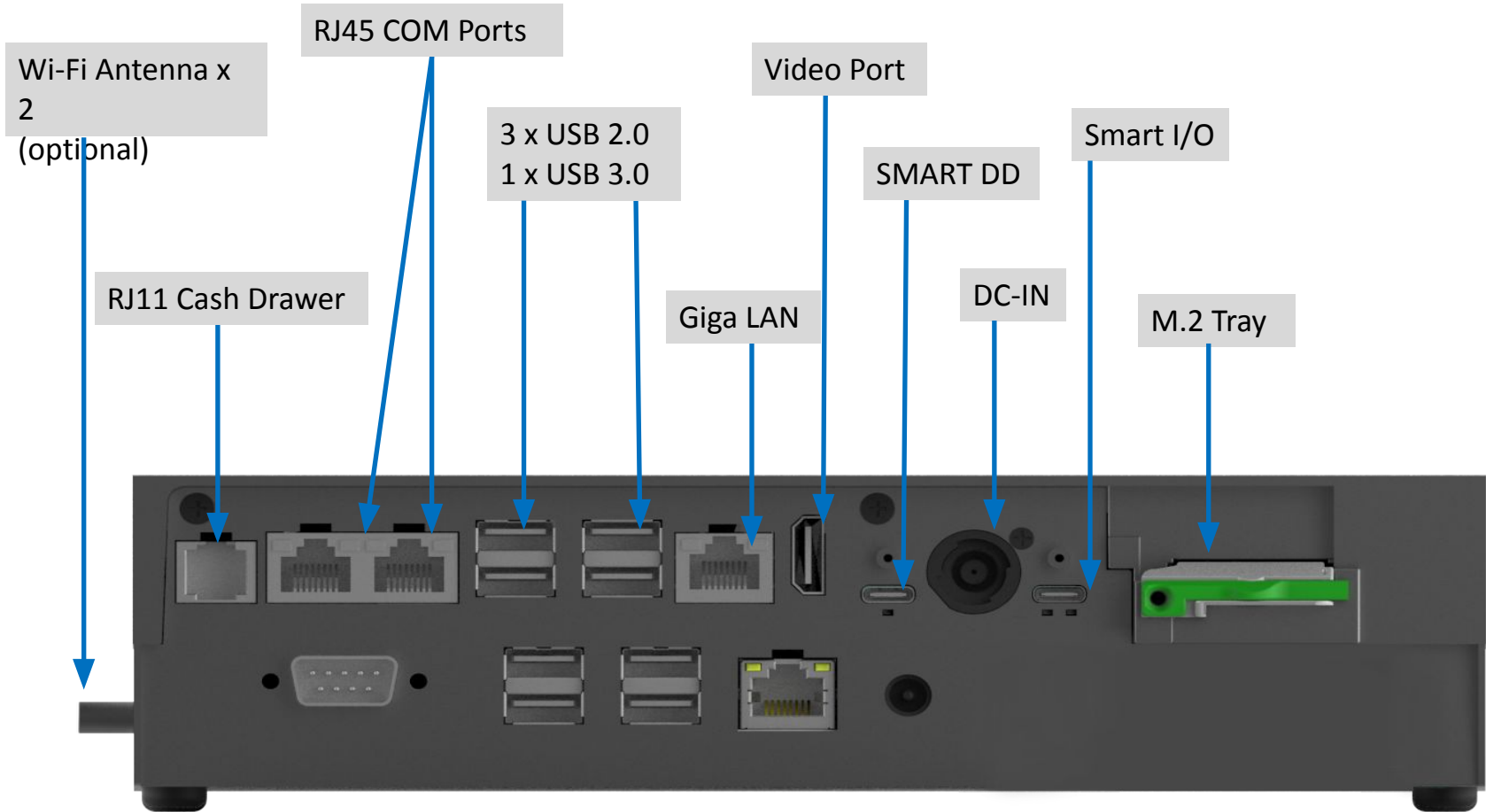
I/O placement

XC-373 SL (Single Layer) For Edge Server/Data Server

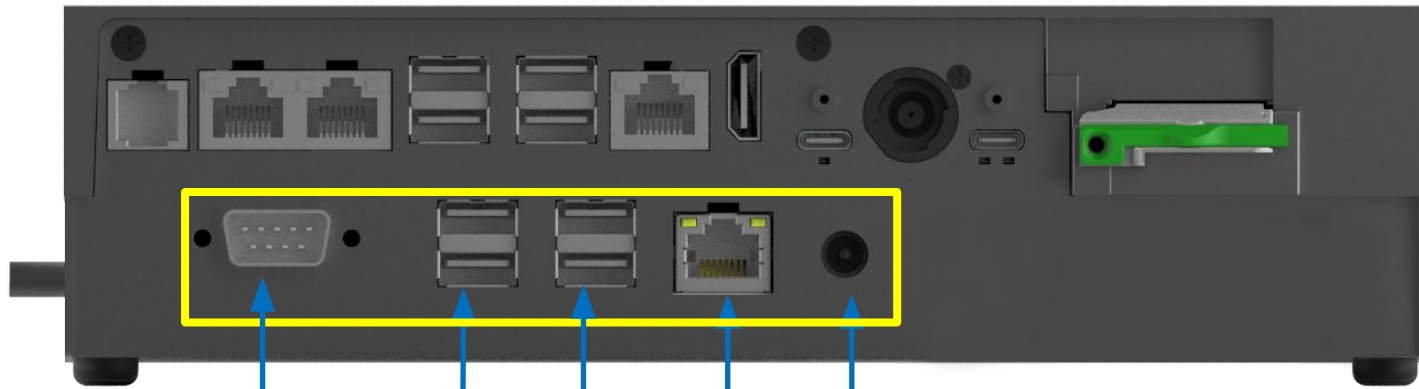


I/O placement

XC-373 DL (Dual Layer) For POS/KIOSK



XC-373 DL 2nd IO-1



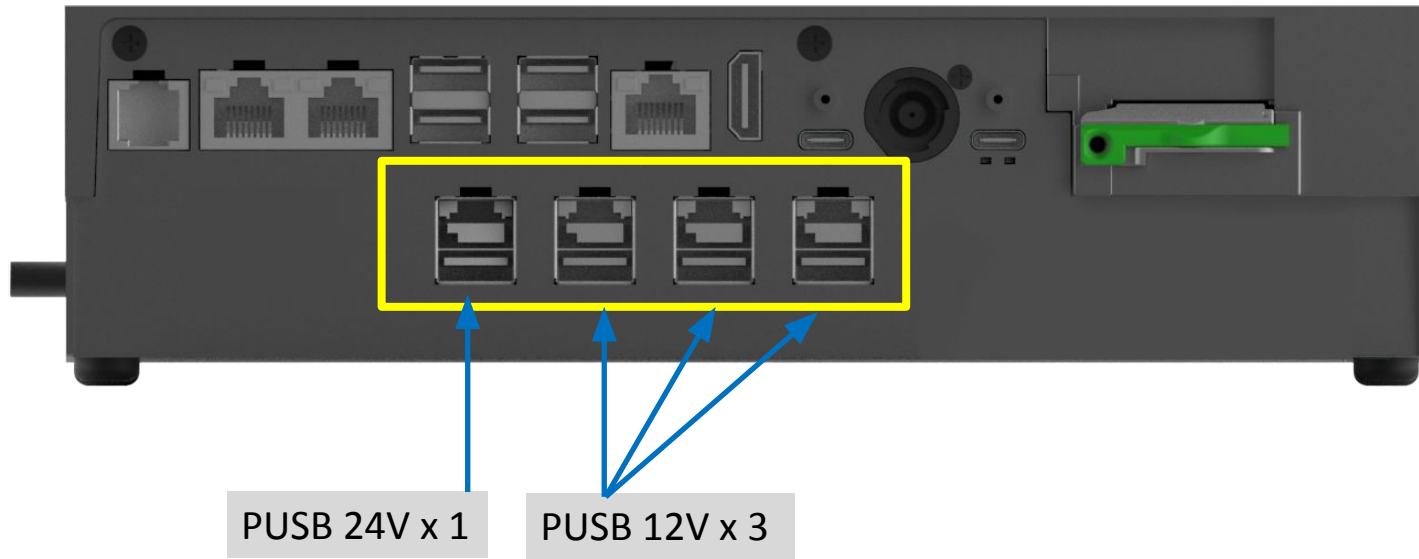
DB9 COM Ports x 1

USB Type A x 4

12V DC-Out x 1

RJ45 COM Ports x 1

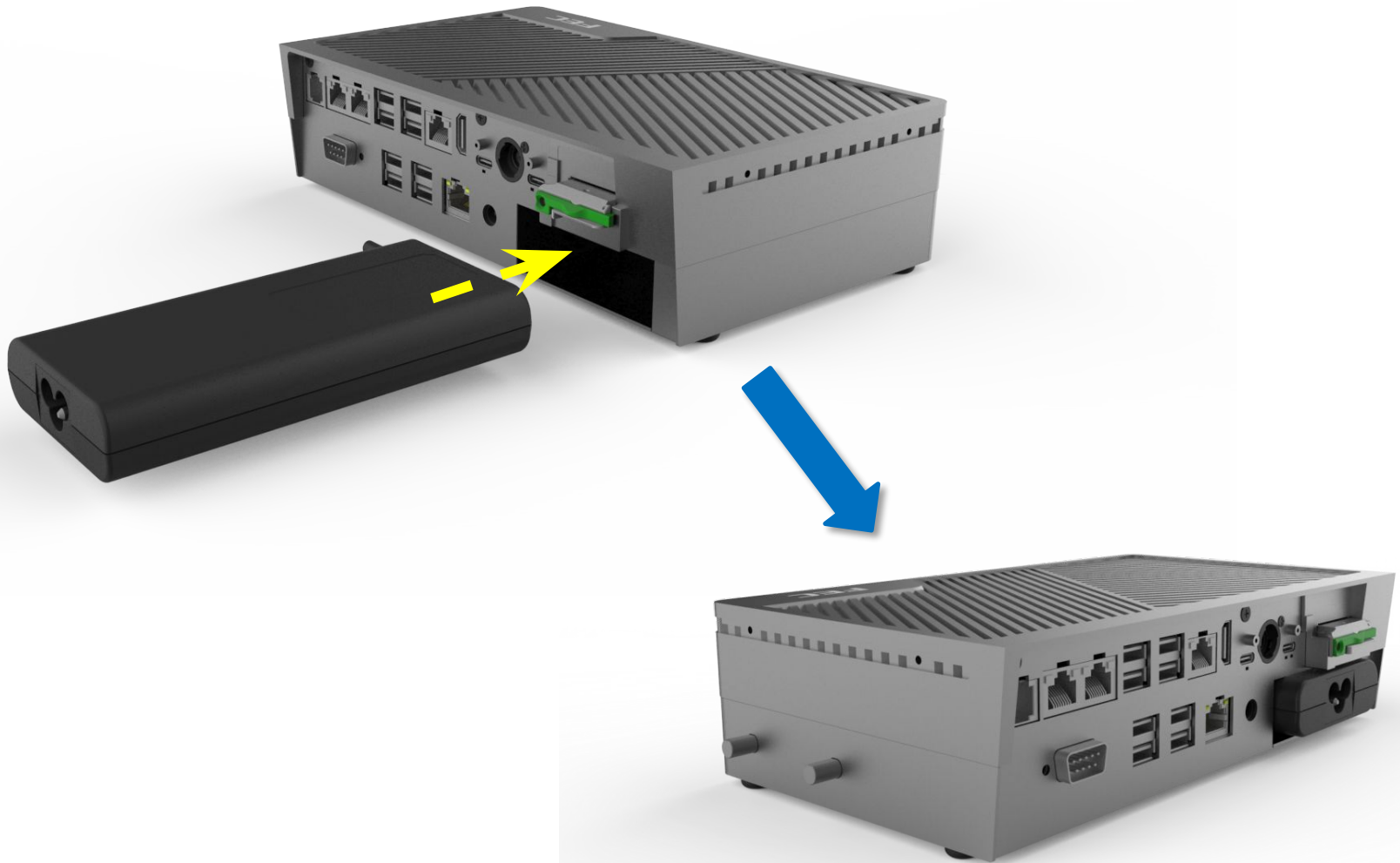
XC-373 DL 2nd IO-2



QUICK SPECIFICATIONS

Model	XC-373SL (Single Layer)	XC-373DL (Dual Layer)
Application	Edge Server/Data Server	POS/KIOSK Application
Processor	Intel® Celeron® Processor J6412 (1.5M Cache, up to 2.60 GHz)	Intel® Celeron® Processor J6412 (1.5M Cache, up to 2.60 GHz)
Memory	4GB Standard, Max 32GB (1 x SO-DIMM DDR4)	4GB Standard, Max 32GB (1 x SO-DIMM DDR4)
Storage	1 x M.2 Support PCIe GenIII or SATAIII (Tray)	1 x M.2 Support PCIe GenIII or SATAIII (Tray) 1 x M.2 Support SATAIII (On Board)
Mounting	VESA 75 mm x 75 mm	VESA 75 mm x 75 mm
Windows	Windows 10 Enterprise (LTSC, SAC) Windows 11 Enterprise	Windows 10 Enterprise (LTSC, SAC) Windows 11 Enterprise
Power	65W	90W/130W
Front I/O	USB Type A 2.0 x 2	USB Type A 2.0 x 2
Rear I/O	RJ45 x2, USB Type A 2.0 x 3, USB Type A 3.0 x 1, Giga Lan x 1, Video Port x 1, Smart DD x 1, DC-IN	RJ11x1, RJ45 x2, USB Type A 2.0 x 3, USB Type A 3.0 x 1, Giga Lan x 1, Video Port x 1, Smart DD x 1, DC-IN, Smart I/O x 1
2 nd I/O (Optional)	N/A	2 nd IO-1: COM x 2(DB9 x 1/RJ45 x 1), USB Type A x 4, 12V DC-Out x 1 2 nd IO-2: PUSB 24V x 1, PUSB 12V x 3

Adaptor integrated (Dual Layer available)



Daisy Chain

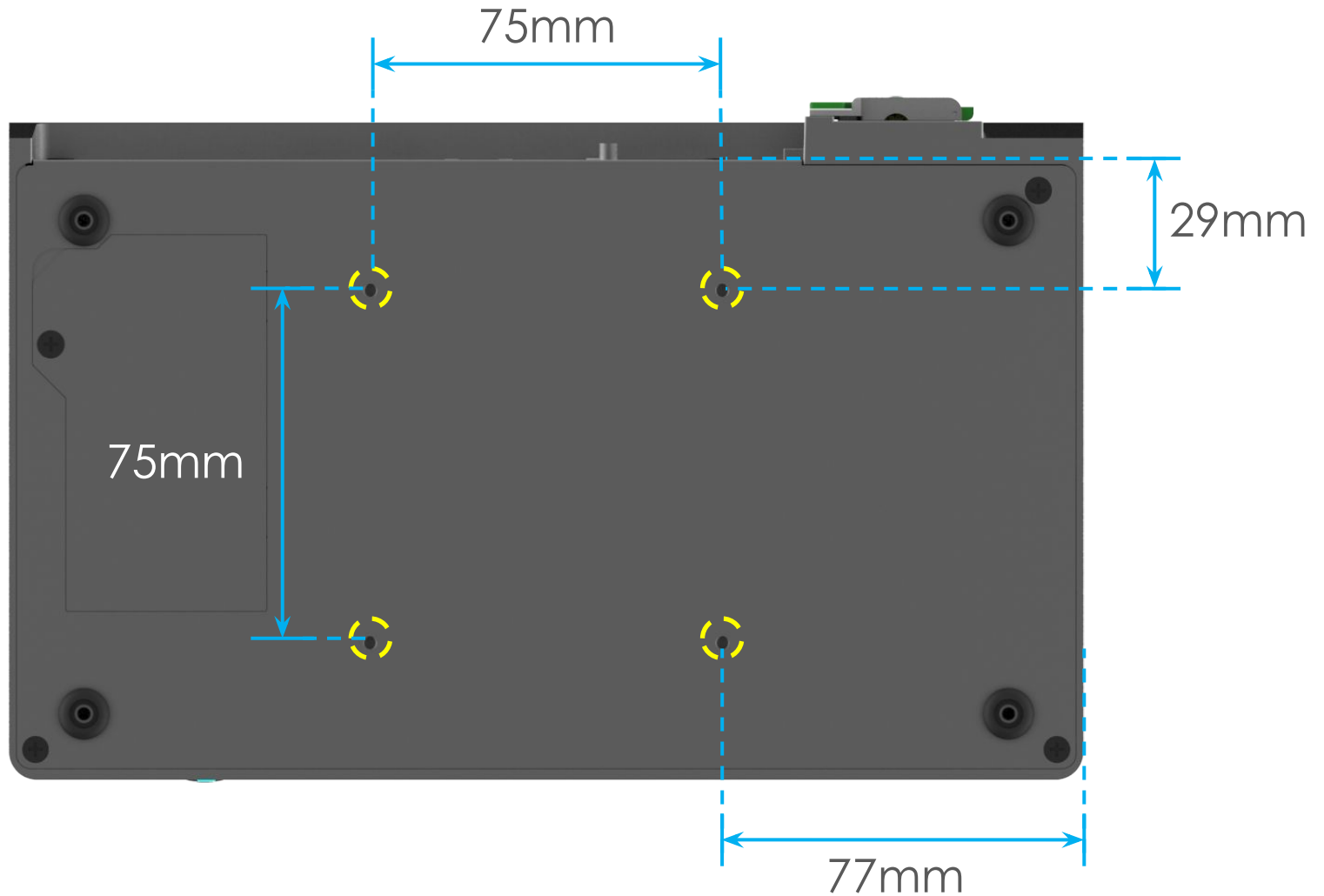
Smart DD Monitor:
XM-3010W
XM-3015
XM-3015W



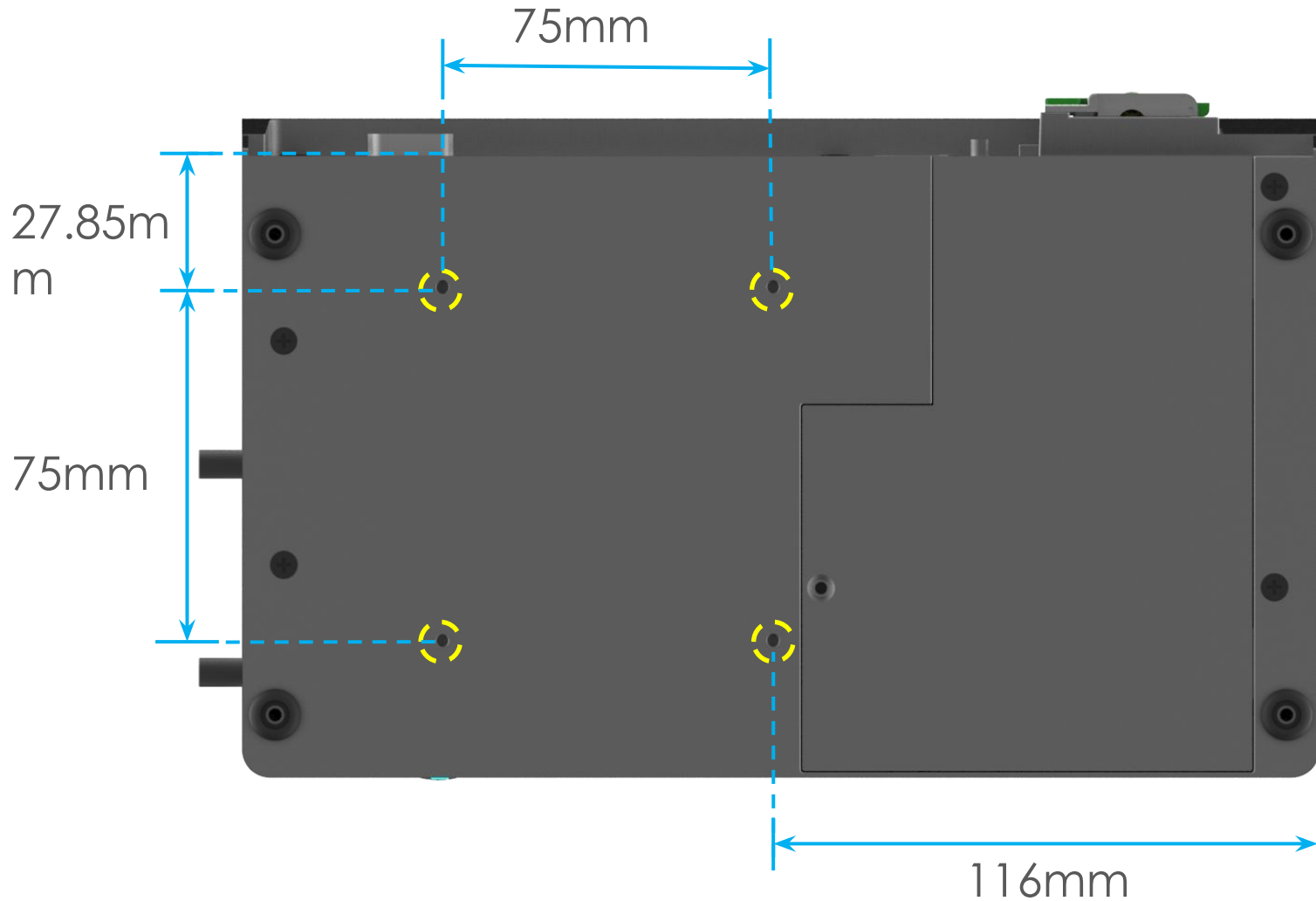
Smart DD
One cable
For 1st Monitor

Smart DD
One cable
For 2nd Monitor

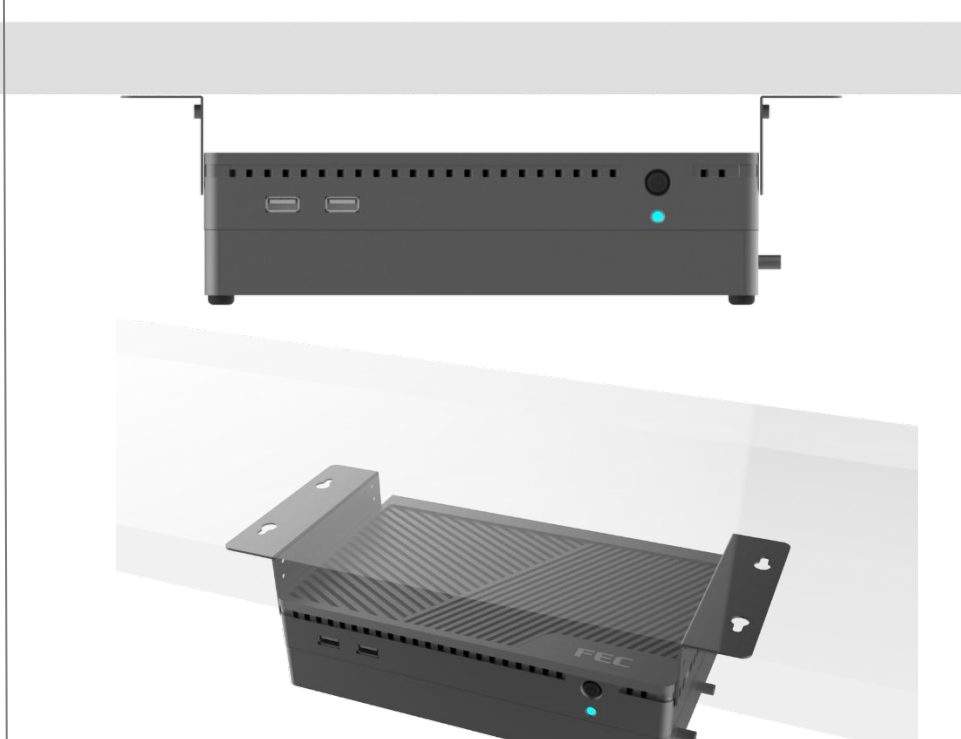
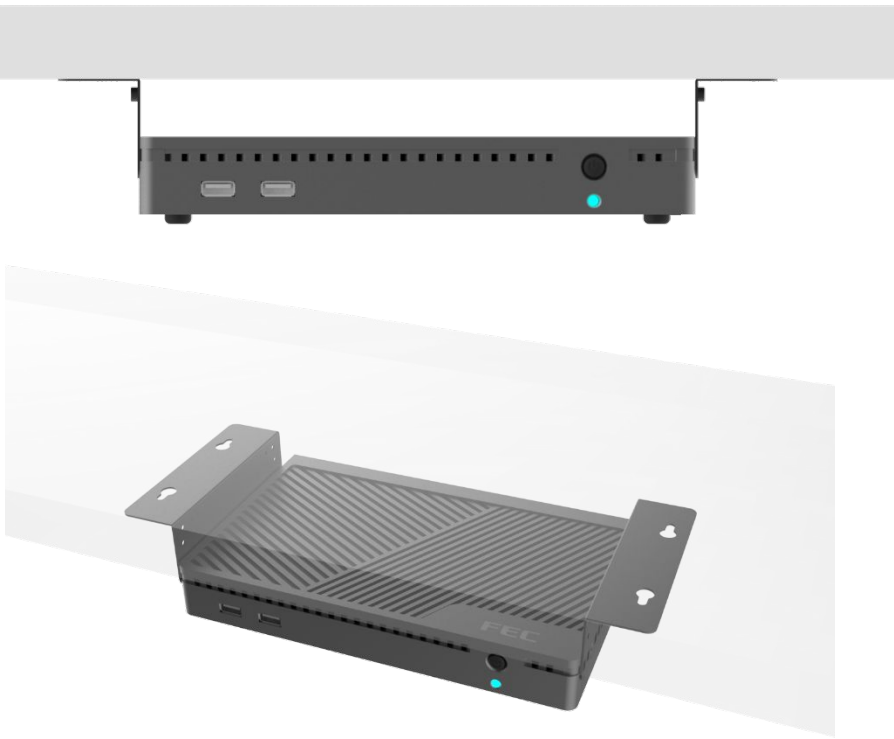
XC-373 SL – VESA location on bottom cover

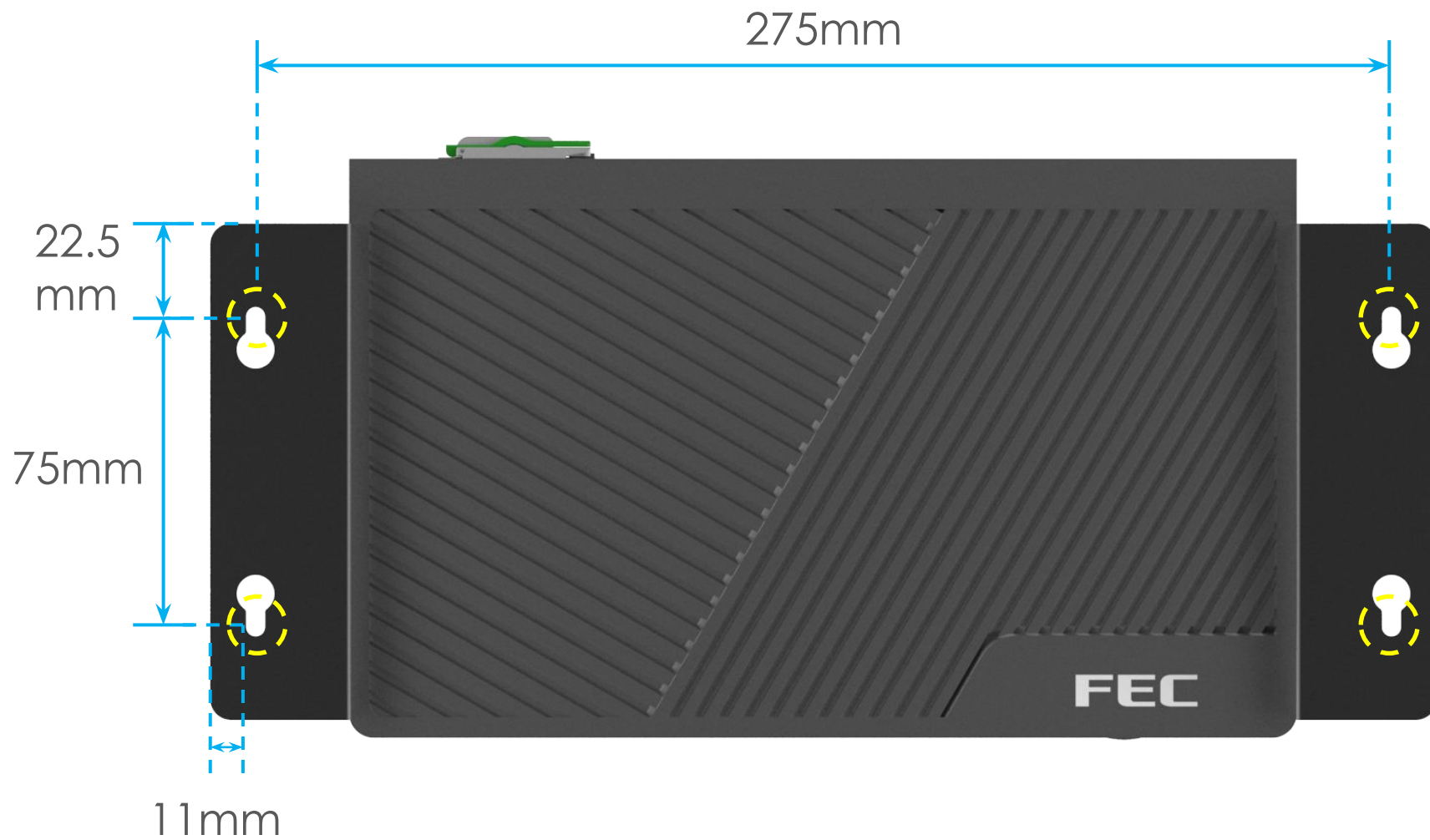


XC-373 DL – VESA location on bottom cover



Desk-Mounting

























Schedule

	Pilot Run	MP
XC-373	7/W2	8/W2

A background network diagram consisting of a complex web of thin grey lines connecting various circular nodes. The nodes are mostly light grey, but several are highlighted in a vibrant red color, creating a focal point for the network structure.

FEC

ELEVATE YOUR BUSINESS

THANK YOU