

MegaPOS Pro

15" Value Touch POS Terminal
with Essential Functions



MegaPOS Pro is a value touch POS terminal designed with all of the essential functions as well as featuring an Intel® Celeron® or Dual-Core Processor to deliver higher performance. The optional peripherals supported by MegaPOS Pro allow for functions to be added suiting each environment.



Features

Intel® Celeron 440, 2.0 GHz / Dual-Core E5300 2.6 GHz Processor

Sufficient computing power capable to fulfill most pos applications



Built-in Customer Display for Cost Saving

Customer display is integrated on the console eliminating the need to purchase a pole display



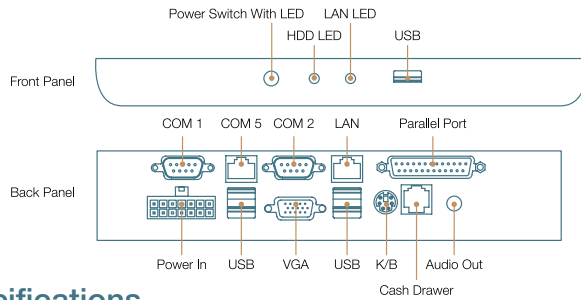
Integrated Rear Cover for Cable Management

Cabling for power cord and peripherals is hidden beneath the terminal keeping it out of sight and saving counter space

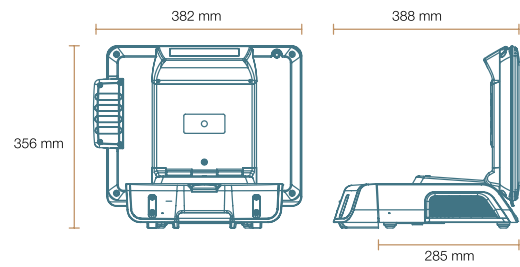
Forward Facing Power Switch Status LED for HDD/ LAN & USB Port

Front I/O makes it easy for USB driver upload and mouse connection

I/O Interface



Dimensions



Specifications

Model	MP-3275A
Processor	Intel® Celeron® 440, 512K L2 Cache, 2.0Ghz, 800Mhz FSB (HH80557RG041512) Intel® Pentium® E5300, 2M L2 Cache, 2.6Ghz, 800Mhz FSB (AT80571PG0642ML)
System Memory	1GB Standard, Maximum 4 GB (2 x 240-pin DDR2)
Power Supply	250W External Power Supply with 12V/24V Output
Storage Device	1 x 2.5" SATA HDD or SATA SSD
Speaker	Internal Speaker 2W x 2
Construction	ABS+SECC
Housing Color	Charcoal + Silver

Touch LCD Display	
Size / Resolution	15" TFT LCD / 1024 x 768
Brightness (Backlight Type)	250 / 350 cd/m ² (CCFL)
Touch Screen	5-Wire Resistive Touch

I/O Ports	
Serial Port	3 x Internal: COM3 (Touch), COM4 (LCM), COM6 (Reserved) 3 x External: COM1 & COM2 (DB9), COM5 (RJ45)
USB Port	2 x Internal (1 MSR, 1 Wifi), 5 x External (4 Rear, 1 Front)
Printer Port	1 x Bi-directional Parallel Port
Cash Drawer Port	1 x RJ11 (12V)
Keyboard / Mouse	1 x PS/2
LAN Port	1 x RJ45 GigaLAN
PCI Slot	1 x Mini PCI-e (Internal)
Video Port	1 x VGA
Audio Port	1 x Line-out

OS Supported	
Windows	Windows XP, POSReady 2009, Windows 7, POSReady 7
Linux	Per Request

Physical Dimensions	
Dimensions (WxHxD)	382 x 356 x 285 mm (without Cable Cover), 382 x 356 x 388 mm (w/ Cable Cover)

Environment	
EMI / Safety	CE, FCC Class A
Operating Temperature	0°C ~ 40°C (32°F ~ 104°F)
Storage Temperature	-10°C ~ 55°C (14°F ~ 131°F)
Relative Humidity	10% ~ 90% (non-condensing)

Optional Peripherals	
Magnetic Stripe Card Reader	Integrated MCR Module (Single / Dual / Triple Track Selectable)
2-in-1 / 3-in-1 Module	Integrated MCR + i-Button / MCR + RFID / MCR + Fingerprint / MCR + Smartcard + i-Button
2nd Display	Integrated 12.1" / 15" Pole-type LCD Display (Touch Screen Optional)
Customer Display	Built in LCM or Pole-type VFD Customer Display
Wireless LAN	Integrated 802.11 b/g/n Wireless Module
2nd Storage Device	CF II