

PP-9200

15" or 17" All-in-One Panel PC



PP-9200 is an all-in-one KIOSK engine, designed for optimal flexibility, performance and reliability. Combined with FEC's design consulting, PP-9200 can be easily integrated into various self service KIOSK applications, such as: ticketing, price checker, self ordering and multi-functional KIOSK.



Features

Removable 2.5" SATA HDD with Cable-less Connection

Side HDD with simple slide out design can be easily maintained



Rich I/O Interface

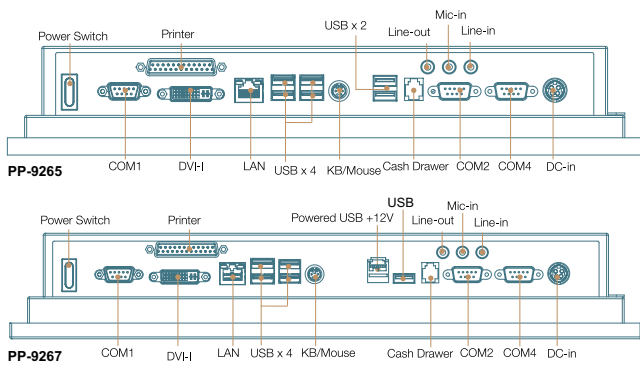
Rich I/O interface allow for integration of peripherals

Downward Facing I/O Connector Panel for Space Saving

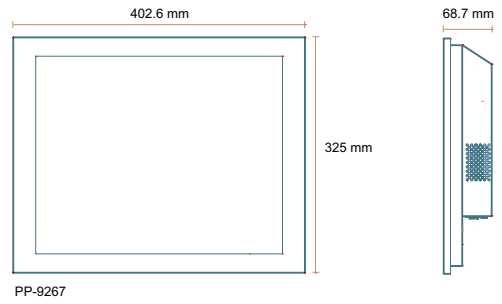
Wires are connected downward for better cable management



I/O Interface



Dimensions



Specifications

Model	PP-9265	PP-9267
Processor	Intel® Core™ 2 Duo T7400, 4M L2 Cache, 2.16Ghz, 667Mhz FSB (LF80537GF0484M)	Intel® Core™ Duo T2500, 2M L2 Cache 2.0Ghz, 667 Mhz FSB (LF80539GF0412M)
		Intel® Celeron® M 440, 1M L2 Cache, 1.86Ghz, 533 Mhz (LF80538NE0361ME)
System Memory	1 GB Standard, Maximum 2GB (1 x 200-pin DDR2)	
Power Supply	150W (12V / 12.5A) External Power Adaptor	
Storage Device	1 x 2.5" SATA HDD	
	1 x CF Card (Optional)	
Construction	Metal Chassis	
Housing Color	Black	

Touch LCD Display		
Size / Resolution	15" TFT LCD / 1024 x 768	17" TFT LCD / 1280 x 1024
Brightness (Backlight Type)	250 / 350 cd/m ² (CCFL)	380 cd/m ² (CCFL)
Touch Screen	5-Wire Resistive Touch	

I/O Ports		
Serial Port	3 x External : COM1 & COM2 & COM4 (DB9)	
USB Port	6 x External	5 x External
Powered USB Port	---	1 x 12V
Printer Port	1 x Bi-directional Parallel Port	
Cash Drawer Port	1 x RJ11 (12V)	
LAN Port	1 x RJ45 Giga LAN	
Keyboard / Mouse	1 x PS/2	
Video Port	1 x DVI-I	
Audio Port	1 x Line-out, 1 x Line-in, 1 x Mic-in	

OS Supported		
Windows	Windows XP, Windows XPE, POSReady 2009, Windows 7	
Linux	Per Request	

Physical Dimensions		
Dimensions (WxHxD)	367 x 283 x 67 mm	402.6 x 325 x 68.7 mm

Environment		
EMI / Safety	CE, FCC Class A	
Operating Temperature	0°C ~ 40°C (32°F ~ 104°F)	
Storage Temperature	-10°C ~ 55°C (14°F ~ 131°F)	
Relative Humidity	10% ~ 90% (Non-condensing)	

Optional Peripherals		
Wireless LAN	Integrated 802.11 b/g/n Wireless Module	
Mounting Kit	VESA 75 x 75 mm	VESA 75 x 75 mm VESA 100 x 100 mm